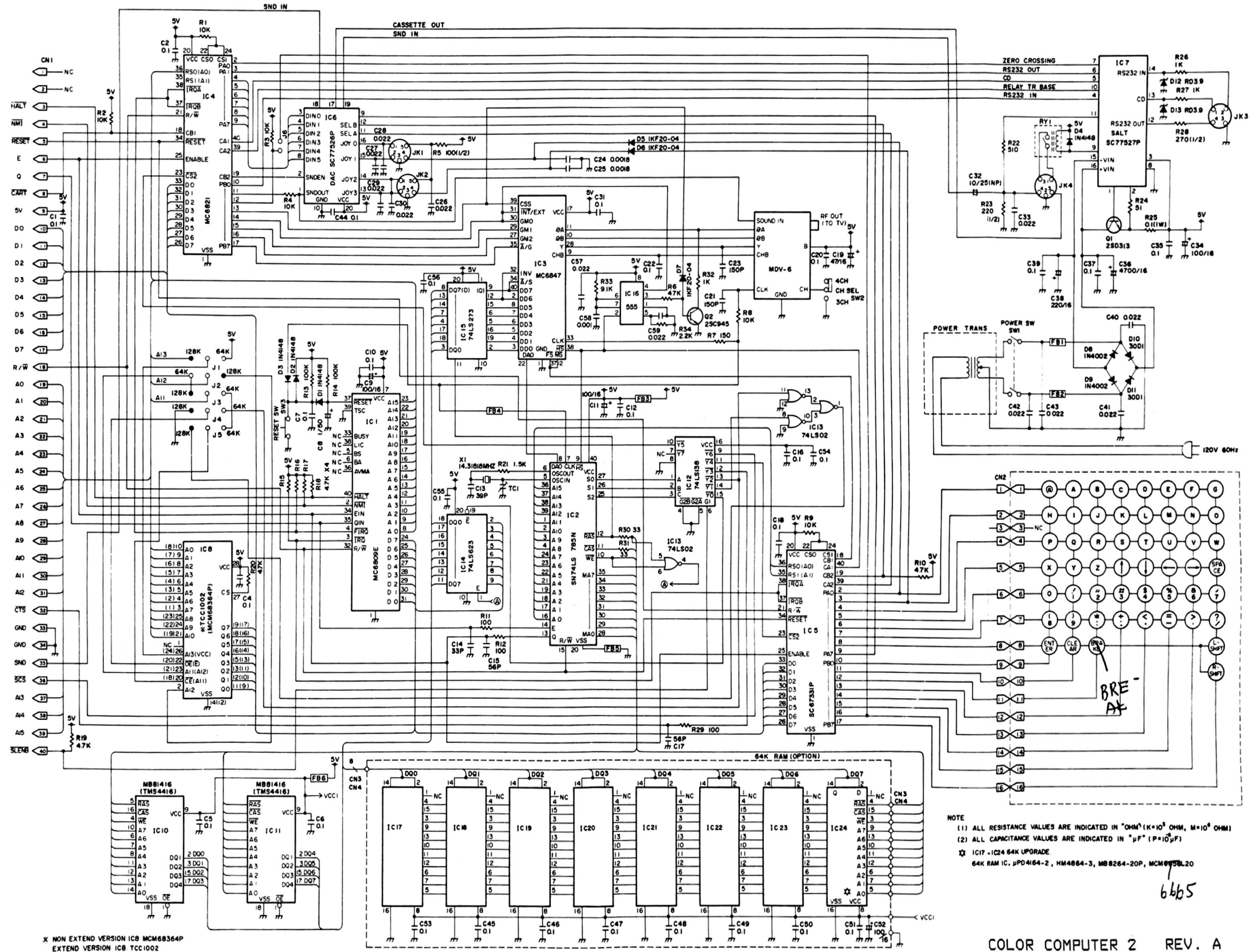


SCHEMATIC DIAGRAM



X NON EXTEND VERSION IC8 MCM68364P
 EXTEND VERSION IC8 TCC1002

COLOR COMPUTER 2 REV. A